

# Fingertip Angle Beam Transducers and Wedges

Technisonic Research offers **Fingertip Removable Angle Beam Transducers (ABFR)** in two series: General Purpose (GP) and Composite (CMP). Their chief application is for weld inspection or flaw detection of suitably oriented flaws. They are useable on all commercially available flaw detectors. They are designed for the inspection of limited access areas, on curved surfaces and for reducing the approach distance to the test area. The GP series is recommended for the majority of testing. For hard-to-penetrate materials such as austenitics, composites, plastics, etc., the CMP series provides greater sensitivity, increased signal-to-noise ratio, deeper penetration and better resolution when used with Technisonic wedges (WF). These transducers feature a captive screw design, eliminating the problem of lost screws. Stainless steel housings provide rugged dependability. They also feature an acoustically matched epoxy lens to insure optimum performance. A knurled surface provides a very comfortable non-slip grip. Color coded labels identify the frequency of the transducer. A microdot connector is supplied.

Technisonic's **Fingertip Removable Wedges (WF)** are designed to get maximum sound energy into the test material while dissipating internal reflections into a highly attenuative material that is built into every Fingertip Removable Wedge.

Frequency (MHz)	Element Diameter	
	.250"	.500"

## General Purpose Series (GP)

1.0	—————	ABFR-0104-GP
2.25	ABFR-0202-GP	ABFR-0204-GP
3.5	ABFR-0302-GP	ABFR-0304-GP
5.0	ABFR-0502-GP	ABFR-0504-GP
10.0	ABFR-1002-GP	ABFR-1004-GP

## Composite Series (CMP)

1.0	—————	ABFR-0104-CMP
2.25	ABFR-0202-CMP	ABFR-0204-CMP
3.5	ABFR-0302-CMP	ABFR-0304-CMP
5.0	ABFR-0502-CMP	ABFR-0504-CMP

Wedge Style	Element Dia.	Effective angle in steel*			
		45°	60°	70°	90°

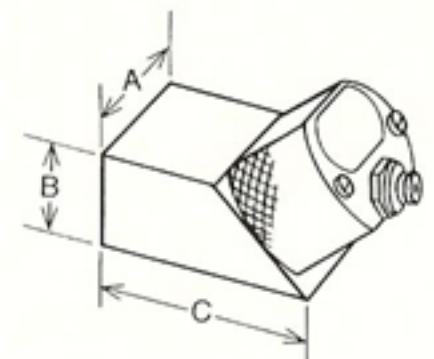
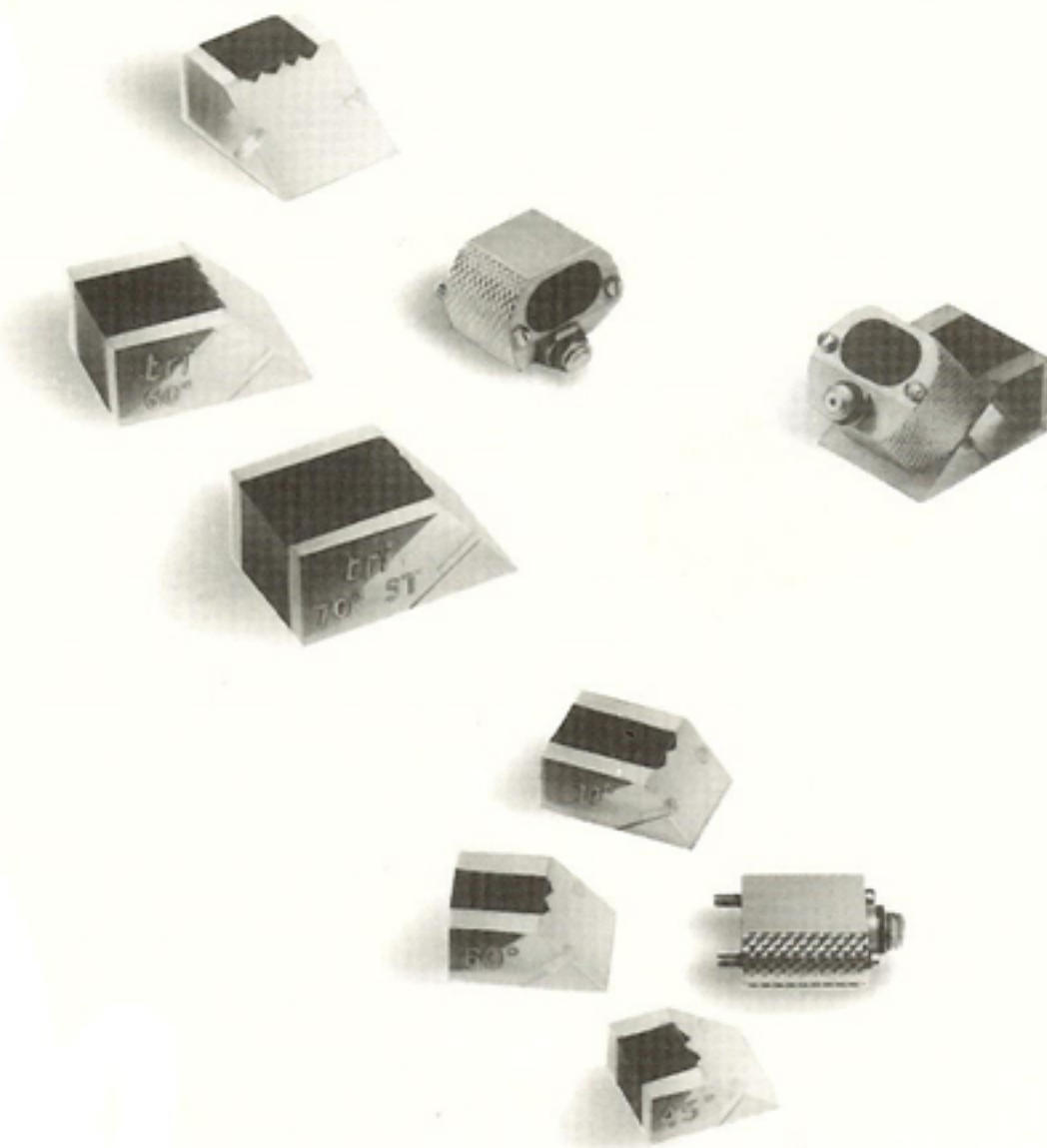
## Fingertip Wedges

WF	.250"	WF-02-45	WF-02-60	WF-02-70	WF-02-90
WF	.500"	WF-04-45	WF-04-60	WF-04-70	WF-04-90

## Fingertip Wedges (High Temperature) 550° F

WFHT	.250"	WFHT-02-45	WFHT-02-60	WFHT-02-70	—————
WFHT	.500"	WFHT-04-45	WFHT-04-60	WFHT-04-70	—————

- Special angles or curved wedges available upon request.
- Cooling Cycle: Allow transducer to cool to ambient temperature after 10 seconds of contact time @ 350° F.
- \* Refracted angle as measured @ 5MHz.



DIMENSIONS 1/4"			
Angle	A	B	C
45°	.50"	.27"	.60"
60°	.50"	.32"	.69"
70°	.50"	.33"	.75"
90°	.50"	.50"	.90"

DIMENSIONS 1/2"			
Angle	A	B	C
45°	.75"	.45"	.95"
60°	.75"	.50"	1.05"
70°	.75"	.53"	1.17"
90°	.75"	.76"	1.56"

Stroud Systems, Inc.  
600 North Shepherd Drive, Suite 115  
Houston, TX 77007-1324

713-861-3270

sales@stroudsystems.com